



**Bertolami Transmisiones**

Acevedo 1069 (C1414DJU)  
 Bs. As. - Argentina  
 Tel. (54) 11-4773-1953 / 4428-2200  
 Fax. 4778-0315  
 email: bertrans@arnet.com.ar

**Cadenas  
 Transportadoras**

Productos y Servicios para la Industria

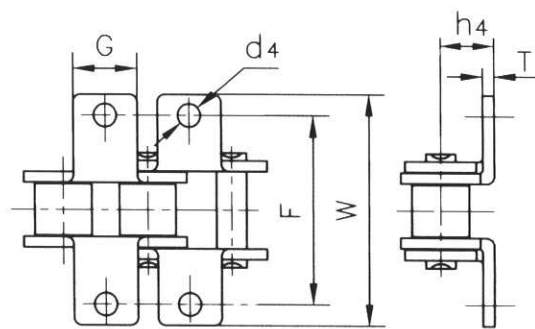
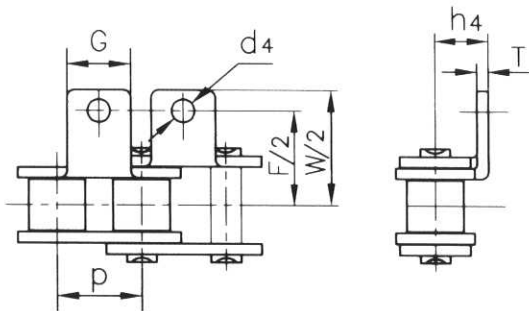
### Short pitch conveyor chain attachments



A-1



K-1



DIN ISO Chain No.	ANSI Chain No.	P	G	F	W	T	h <sub>4</sub>	d <sub>4</sub>
		mm	mm	mm	mm	mm	mm	mm
08A	40	12.700	9.5	25.40	35.2	1.50	7.90	3.4
10A	50	15.875	12.7	31.75	46.2	2.03	10.30	5.5
12A	60	19.050	15.9	38.10	55.6	2.42	11.90	5.5
16A	80	25.400	19.1	50.80	64.8	3.25	15.90	6.8
20A	100	31.750	25.4	63.50	87.3	4.00	19.80	9.2
24A	120	38.100	28.6	76.20	108.5	4.80	23.00	9.8
28A	140	44.450	34.9	88.90	123.0	5.60	28.60	11.4
32A	160	50.800	38.1	101.60	142.8	6.40	31.80	13.1
*06B		9.525	8.0	19.04	27.0	1.30	6.50	3.5
08B		12.700	9.5	25.40	36.4	1.60	8.90	4.5
10B		15.875	14.3	31.75	44.6	1.70	10.31	5.3
12B		19.050	16.0	38.10	52.4	1.85	13.46	6.4
16B		25.400	19.1	50.80	72.6	3.10	15.88	6.4

\*Straight side plates

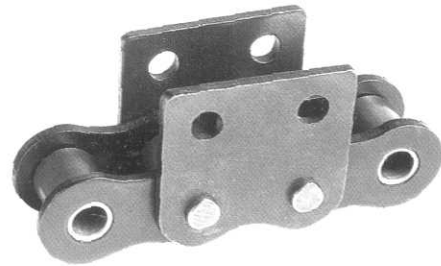
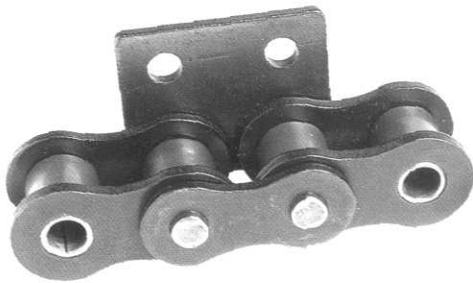


**Bertolami Transmisiones**  
 Acevedo 1069 (C1414DJU)  
 Bs. As. - Argentina  
 Tel. (54) 11-4773-1953 / 4428-2200  
 Fax. 4778-0315  
 email: bertrans@arnet.com.ar

# Cadenas Transportadoras

Productos y Servicios para la Industria

## Short pitch conveyor chain attachments

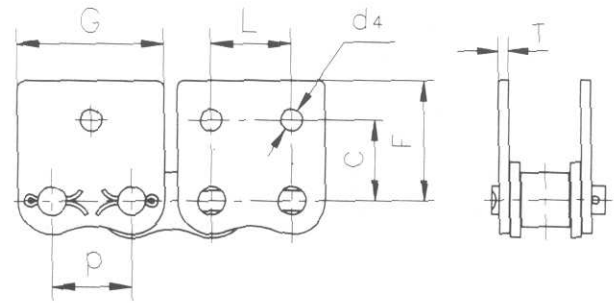
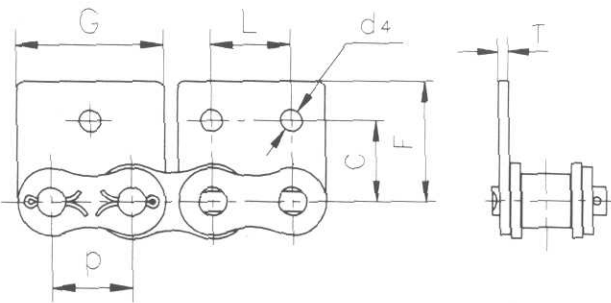


WSA-1

WSA-2

WSK-1

WSK-2

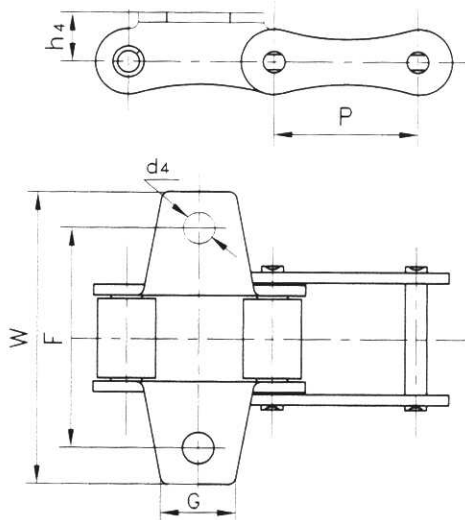


DIN ISO Chain No.	ANSI Chain No.	P	G	L	C	F	T	d <sub>4</sub>
		mm	mm	mm	mm	mm	mm	mm
08A	40	12.700	23.00	12.700	12.70	17.40	1.50	3.4
10A	50	15.875	28.80	15.875	15.90	23.05	2.03	5.5
12A	60	19.050	34.65	19.050	18.30	26.86	2.42	5.5
16A	80	25.400	45.90	25.400	24.60	35.45	3.25	6.8
20A	100	31.750	57.65	31.750	31.80	44.00	4.00	9.2
08B		12.700	23.30	12.700	13.35	18.90	1.60	4.3
10B		15.875	29.58	15.875	16.50	22.95	1.70	5.3
12B		19.050	34.05	19.050	21.45	28.60	1.85	6.4
16B		25.400	46.40	25.400	23.15	34.00	3.10	6.4

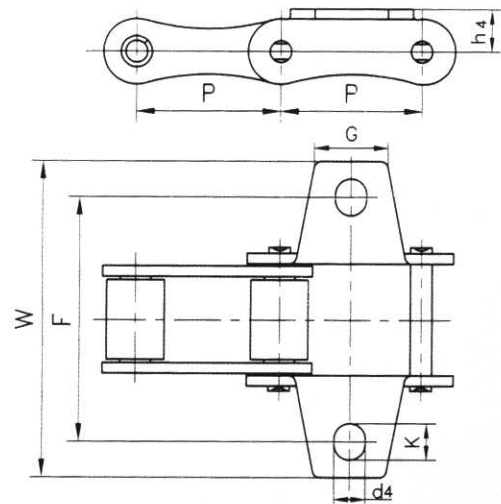


**S type and C type steel agricultural chain attachments**

Chain No.	P	G	F	W	h <sub>4</sub>	d <sub>4</sub>	K
	mm	mm	mm	mm	mm	mm	mm
S32K <sub>1</sub>	29.21	15.0	42.9	61.0	8.6	5.3	6.9
S55K <sub>1</sub>	41.40	22.0	54.0	75.0	11.4	8.5	11.7



Chain No.	P	G	F	W	h <sub>4</sub>	d <sub>4</sub>
	mm	mm	mm	mm	mm	mm
S52F5	38.1	19.0	51.2	71.7	16.5	8.3



Chain No.	P	G	F	W	h <sub>4</sub>	d <sub>4</sub>	K
	mm	mm	mm	mm	mm	mm	mm
S42K <sub>1</sub>	34.93	17.5	54.0	74.9	14.0	8.3	11.5
S52K <sub>1</sub>	38.10	19.0	58.8	78.0	11.4	8.3	9.9
S62K <sub>1</sub>	41.91	22.0	66.8	95.4	11.4	6.5	13.0
S62F <sub>2</sub>	41.91	22.0	66.8	95.4	11.4	8.3	14.7



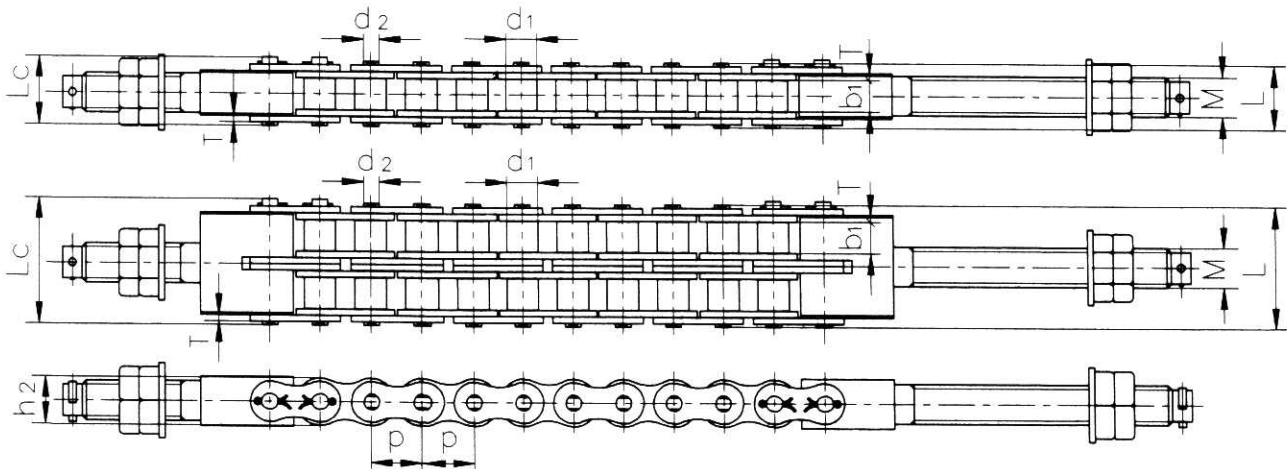
**Bertolami Transmisiones**

Acevedo 1069 (C1414DJU)  
 Bs. As. - Argentina  
 Tel. (54) 11-4773-1953 / 4428-2200  
 Fax. 4778-0315  
 email: bertrans@arnet.com.ar

**Cadenas**  
**Transportadoras**

Productos y Servicios para la Industria

**Chains for car parking**



Chain No.	Pitch	Roller diameter	Width between inner plates	Pin diameter	Pin length		Inner plate depth	Plate thickness	Type of bolt	Ultimate tensile strength	Average tensile strength	Weight per meter
	P	d <sub>1</sub> max	b <sub>1</sub> min	d <sub>2</sub> max	L max	L <sub>c</sub> max	h <sub>2</sub> max	T max	M nom	Q min	Q <sub>0</sub>	q
	mm	mm	mm	mm	mm	mm	mm	mm	mm	kN	kN	kg/m
16ALT-1	25.40	15.88	15.75	7.92	32.7	36.5	24.0	3.25	M20	71.55	81.8	2.60
16ALT-2	25.40	15.88	15.75	7.92	62.7	65.8	24.0	3.25	M20	143.10	166.3	5.15
20ALT-1	31.75	19.05	18.90	9.53	40.4	44.7	30.0	4.00	M24	107.85	118.6	3.91
20ALT-2	31.75	19.05	18.90	9.53	76.4	80.5	30.0	4.00	M24	215.70	234.4	7.80
20ALT-3	31.75	19.05	18.90	9.53	112.2	116.3	30.0	4.00	M24	323.55	351.6	11.77
24ALT-1	38.10	22.23	25.22	11.10	50.3	54.3	35.7	4.80	M30	149.20	161.1	5.62
24ALT-2	38.10	22.23	25.22	11.10	95.8	99.7	35.7	4.80	M30	298.40	322.2	11.70

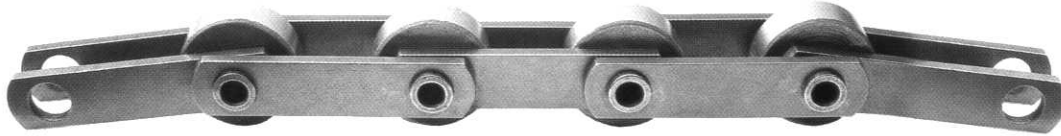


**Bertolami Transmisiones**  
 Acevedo 1069 (C1414DJU)  
 Bs. As. - Argentina  
 Tel. (54) 11-4773-1953 / 4428-2200  
 Fax. 4778-0315  
 email: bertrans@arnet.com.ar

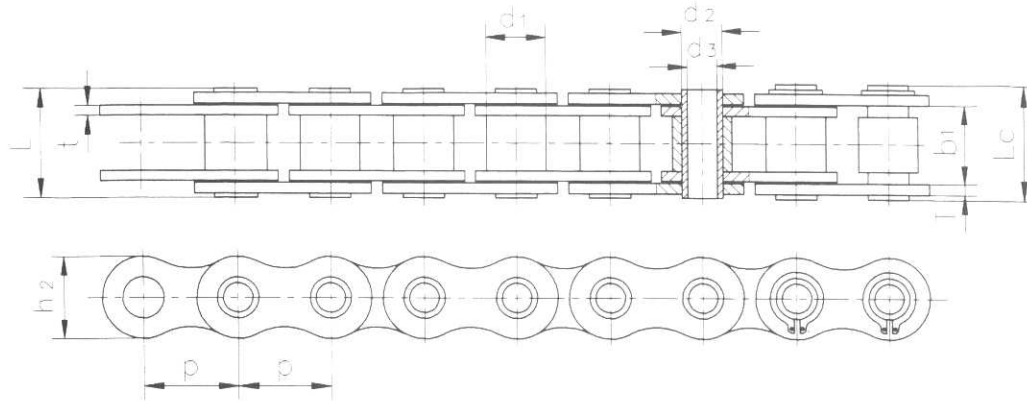
**Cadenas**  
**Transportadoras**

Productos y Servicios para la Industria

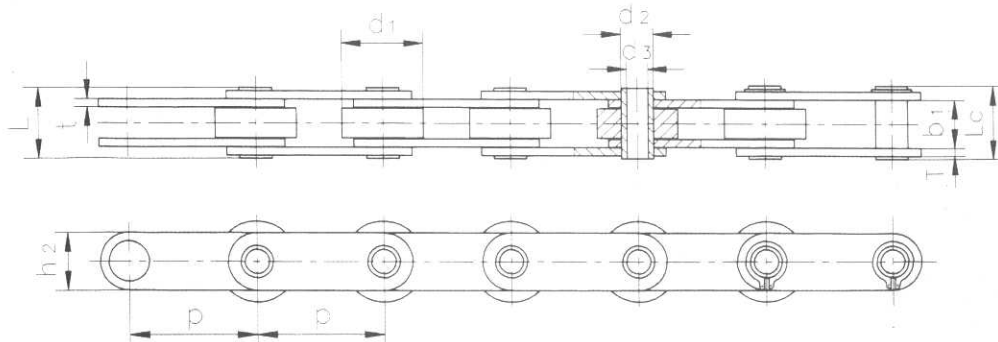
Hollow Pin chains



TYPE A



TYPE B



Donghua Chain No.	Pitch	Roller diameter	Width between outer plates	Pin diameter		Pin length		Inner plate depth	Plate thickness	Ultimate tensile strength	Average tensile strength	Weight per meter	Style form
	P	d <sub>1</sub> max	b <sub>1</sub> min	d <sub>2</sub> max	d <sub>3</sub> min	L max	L <sub>c</sub> max	h <sub>2</sub> max	t/T max	Q min	Q <sub>0</sub>	q	
	mm	mm	mm	mm	mm	mm	mm	mm	mm	kN	kN	kg/m	
08BHPPF2	12.700	8.51	13.20	6.65	5.20	18.0	19.2	11.8	1.6/1.3	10.00	11.4	0.50	A
10BHPPF1	15.875	10.16	13.41	7.03	5.00	19.2	20.2	14.0	1.85	17.00	20.6	0.83	A
12BHPPF1	19.050	12.07	16.00	8.03	5.40	22.7	23.9	15.8	1.85	25.00	28.8	1.09	A
16BHPPF1	25.400	15.88	25.58	11.50	8.10	36.0	37.6	21.0	4.15/3.1	45.00	52.2	2.21	A
60HPF2	19.050	11.91	11.23	5.63	4.05	16.5	17.6	10.4	1.50	10.00	10.8	0.62	A
63HP	63.000	40.00	23.50	16.00	12.00	35.3	38.3	28.6	4.00	65.00	71.5	4.14	B
63HPF2	63.000	40.00	25.80	14.00	8.20	39.1	41.1	20.0	5.00	50.00	65.7	4.17	B
63HPF4	63.000	40.00	23.50	16.00	12.30	34.7	37.7	28.6	4.00	44.00	57.2	4.13	B
63HPF6	63.000	40.00	28.94	16.00	10.30	41.8	43.4	28.6	4.00	44.00	57.2	5.18	B
C2122HPF1	76.200	47.60	29.00	17.81	12.70	43.3	44.7	38.1	4.80	53.34	59.2	7.05	B

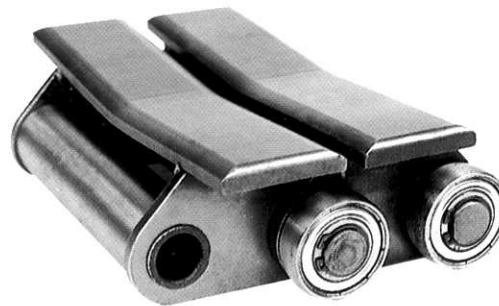


**Bertolami Transmisiones**

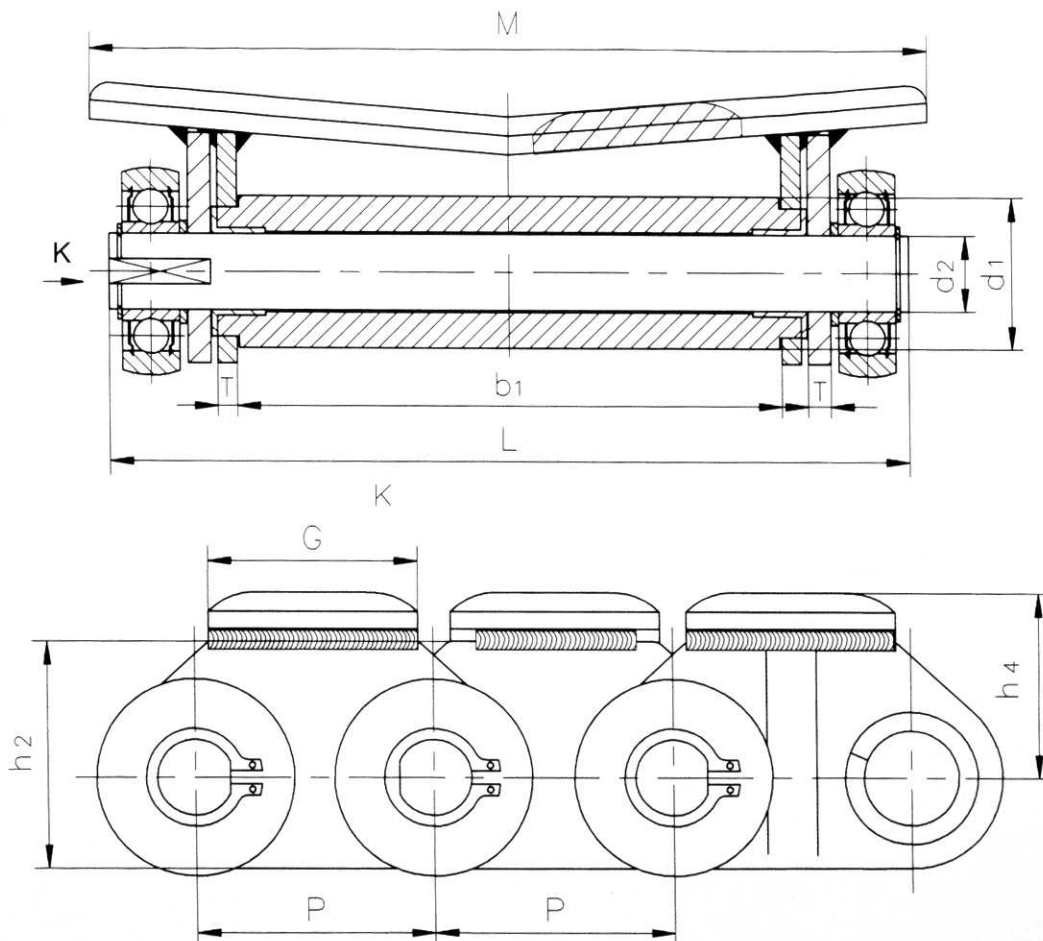
Acevedo 1069 (C1414DJU)  
 Bs. As. - Argentina  
 Tel. (54) 11-4773-1953 / 4428-2200  
 Fax. 4778-0315  
 email: bertrans@arnet.com.ar

**Cadenas  
 Transportadoras**

Productos y Servicios para la Industria



**63PF conveyor chain**



Chain No.	Pitch	Bush diameter	Width between inner plates	Pin diameter	Pin length	Plate depth	Plate thickness	Attachment dimensions			Ultimate tensile strength	Average tensile strength
	P	d <sub>1</sub> max	b <sub>1</sub> min	d <sub>2</sub> max	L max	h <sub>2</sub> max	T max	M	G	h <sub>4</sub>	Q <sub>min</sub>	Q <sub>0</sub>
	mm	mm	mm	mm	mm	mm	mm	mm	mm	mm	kN	kN
63PF	63.0	40.0	142.0	25.00	210.0	60.0	6.0	220.0	55.0	49.99	160.0	176.0



**Bertolami Transmisiones**

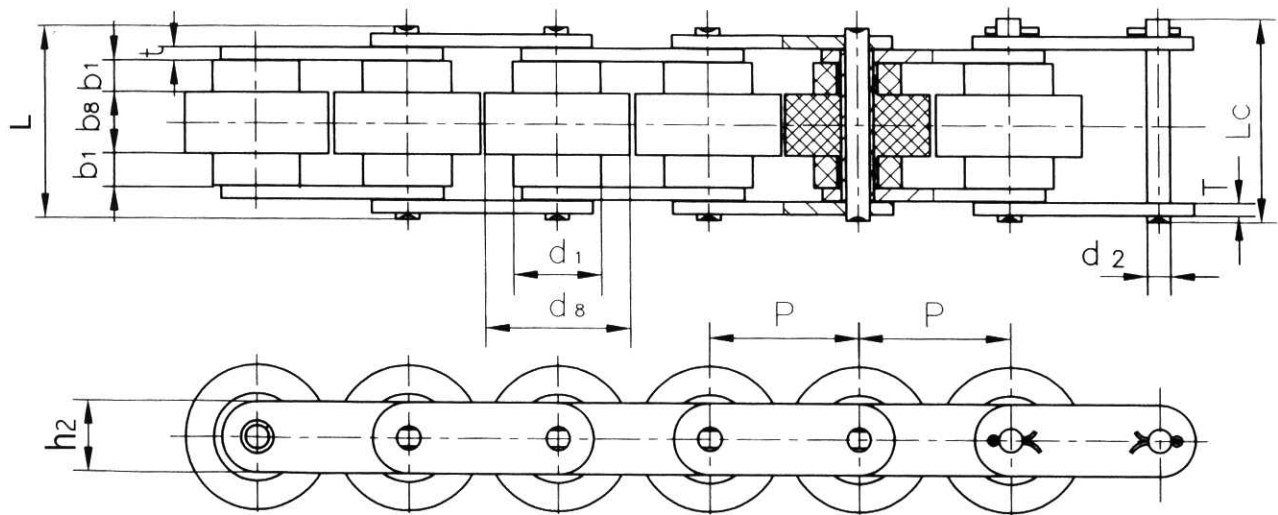
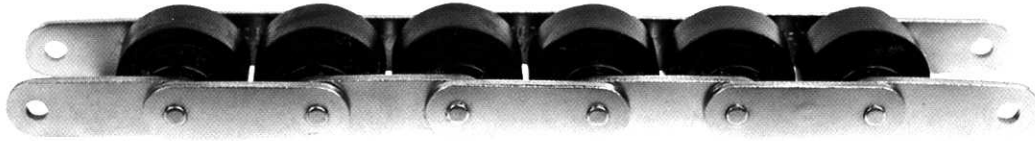
Acevedo 1069 (C1414DJU)  
Bs. As. - Argentina  
Tel. (54) 11-4773-1953 / 4428-2200  
Fax. 4778-0315  
email: bertrans@arnet.com.ar

**Cadenas**

**Transportadoras**

Productos y Servicios para la Industria

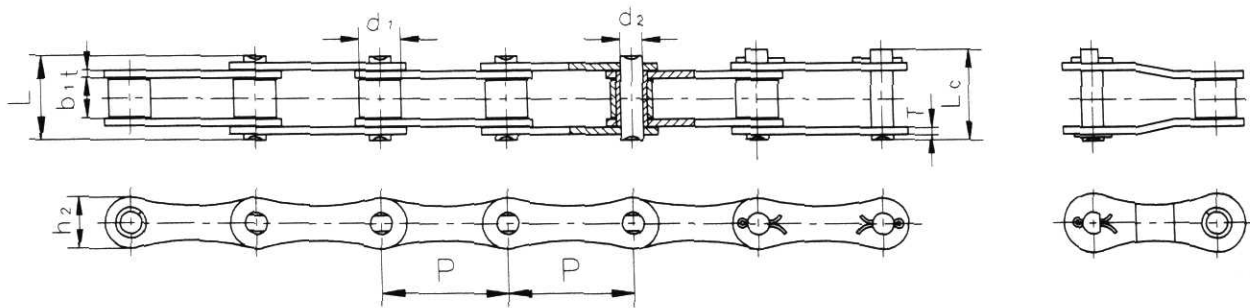
**Double plus chains**



JB Chain No.	Donghua Chain No.	Pitch P	Roller dimensions					Pin dimensions			Plate dimensions			Weight per meter q
			d <sub>1</sub> max	d <sub>8</sub> max	b <sub>1</sub> min	b <sub>8</sub> min	d <sub>2</sub> max	L max	L <sub>c</sub> max	h <sub>2</sub> max	T max	t max		
			mm	mm	mm	mm	mm	mm	mm	mm	mm	mm	mm	
BS25-C206B	C2030W	19.05	11.91	18.3	4.00	8.0	3.28	24.0	25.6	8.20	1.30	1.50	0.52	
BS25-C208A	C2040W	25.40	15.88	24.6	5.70	10.3	3.96	31.0	32.8	11.70	1.50	1.50	0.79	
BS25-C210A	C2050W	31.75	19.05	30.6	7.10	13.0	5.08	39.5	41.2	15.00	2.03	2.03	1.36	
BS25-C212A	C2060W	38.10	22.23	36.6	8.50	15.5	5.94	48.8	50.5	18.00	3.25	3.25	2.19	
BS25-C216A	C2080W	50.80	28.58	49.0	11.00	21.5	7.92	66.2	70.0	24.00	4.00	5.00	4.06	
BS30-C206B		19.05	9.00	18.3	4.50	9.1	3.28	26.3	29.6	7.28	1.30	1.50	0.50	
BS30-C208A		25.40	11.91	24.6	6.10	12.5	3.96	35.6	39.5	9.60	1.50	2.00	0.83	
BS30-C210A		31.75	14.80	30.6	7.50	15.0	5.08	43.0	47.1	12.20	2.00	2.40	1.27	
BS30-C212A		38.10	18.00	37.0	9.75	20.0	5.94	58.1	62.7	15.00	3.00	4.00	2.14	
BS30-C216A		50.80	22.23	49.0	12.00	25.2	7.92	71.9	77.3	18.60	4.00	5.00	3.55	



**Double pitch transmission chains**



DIN ISO Chain No.	ANSI Chain No.	Pitch	Roller diameter	Width between inner plates	Pin diameter	Pin length		Inner plate depth	Plate thickness	Ultimate tensile strength	Average tensile strength	Weight per meter
		P	d <sub>1</sub> max	b <sub>1</sub> min	d <sub>2</sub> max	L max	L <sub>c</sub> max	h <sub>2</sub> max	t/T max	Q min	Q <sub>0</sub>	q
		mm	mm	mm	mm	mm	mm	mm	mm	kN	kN	kg/m
208A	2040	25.40	7.95	7.85	3.96	16.6	17.8	12.0	1.50	14.1	16.7	0.42
208B		25.40	8.51	7.75	4.45	16.7	18.2	11.8	1.60	18.0	19.4	0.45
210A	2050	31.75	10.16	9.40	5.08	20.7	22.2	15.0	2.03	22.2	28.1	0.73
210B		31.75	10.16	9.65	5.08	19.5	20.9	14.7	1.70	22.4	27.5	0.65
212A	2060	38.10	11.91	12.57	5.94	25.9	27.7	18.0	2.42	31.8	36.8	1.02
212B		38.10	12.07	11.68	5.72	22.5	25.2	16.0	1.85	29.0	32.2	0.76
216A	2080	50.80	15.88	15.75	7.92	32.7	36.5	24.0	3.25	56.7	65.7	1.70
216AH		50.80	15.88	15.75	7.92	36.2	39.4	24.0	4.00	56.7	70.0	2.17
216B		50.80	15.88	17.02	8.28	36.1	39.1	21.0	4.15/3.1	60.0	72.8	1.75
220A	2100	63.50	19.05	18.90	9.53	40.4	44.7	30.0	4.00	88.5	102.6	2.55
220B		63.50	19.05	19.56	10.19	41.3	45.0	26.4	4.5/3.5	95.0	106.7	2.62
224A	2120	76.20	22.23	25.22	11.10	50.3	54.3	35.7	4.80	127.0	147.3	4.06
224B		76.20	25.40	25.40	14.63	53.4	57.8	33.2	6.0/4.8	160.0	178.0	4.70
228B		88.90	27.94	30.99	15.90	65.1	69.5	36.7	7.5/6.0	200.0	222.0	6.23
232B		101.60	29.21	30.99	17.81	66.0	71.0	42.0	7.0/6.0	250.0	277.5	6.72



**Bertolami Transmisiones**

Acevedo 1069 (C1414DJU)  
 Bs. As. - Argentina  
 Tel. (54) 11-4773-1953 / 4428-2200  
 Fax. 4778-0315  
 email: bertrans@arnet.com.ar

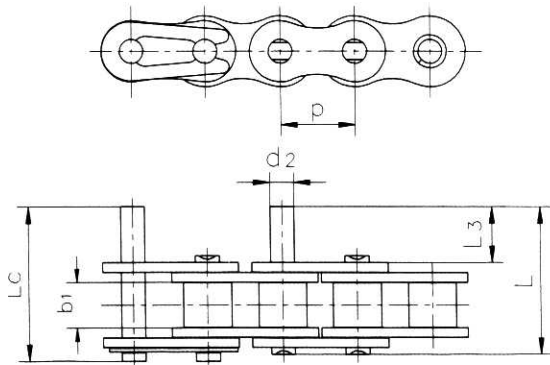
**Cadenas**

**Transportadoras**

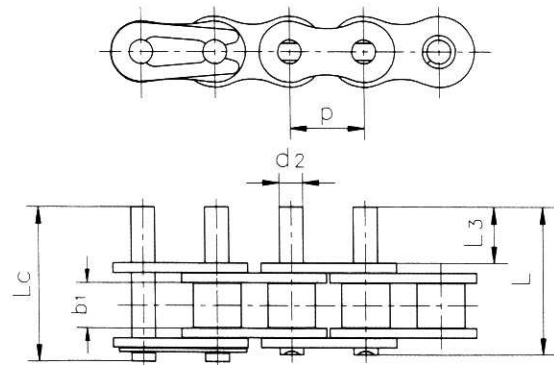
Productos y Servicios para la Industria

**Short pitch conveyor chain attachments**

**D-1**



**D-3**



DIN ISO Chain No.	ANSI Chain No.	P	b <sub>1</sub>	d <sub>2</sub>	L <sub>3</sub>	L	L <sub>c</sub>
		mm	mm	mm	mm	mm	mm
06C	35	9.525	4.77	3.58	9.5	20.8	21.6
08A	40	12.700	7.85	3.96	9.5	25.1	26.2
10A	50	15.875	9.40	5.08	11.9	31.3	33.1
12A	60	19.050	12.57	5.94	14.3	38.6	40.6
16A	80	25.400	15.75	7.92	19.1	50.3	53.3
20A	100	31.750	18.90	9.53	23.8	61.8	66.1
24A	120	38.100	25.22	11.10	28.6	76.4	80.4
28A	140	44.450	25.22	12.70	33.3	84.8	89.4
32A	160	50.800	31.55	14.27	38.1	99.6	104.4
08B		12.700	7.75	4.45	9.5	25.1	26.6
10B		15.875	9.65	5.08	11.9	30.1	31.5
12B		19.050	11.68	5.72	14.3	35.4	37.1
16B		25.400	17.02	8.28	19.1	53.0	54.3



**Bertolami Transmisiones**

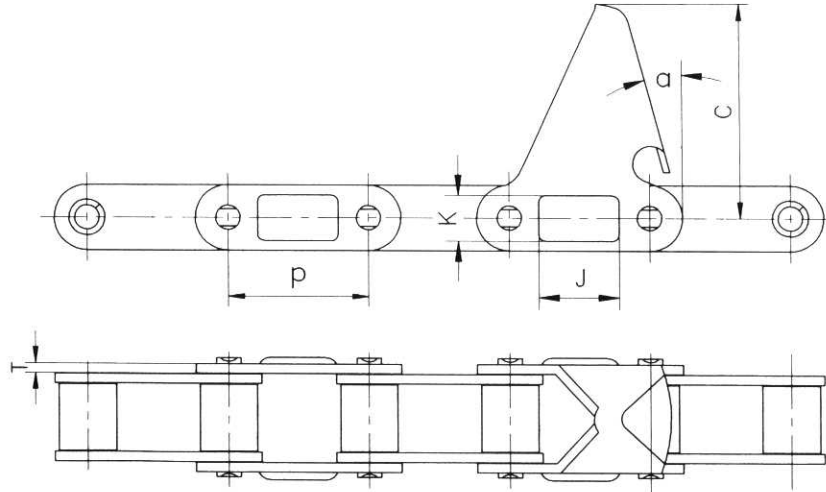
Acevedo 1069 (C1414DJU)  
 Bs. As. - Argentina  
 Tel. (54) 11-4773-1953 / 4428-2200  
 Fax. 4778-0315  
 email: bertrans@arnet.com.ar

**Cadenas  
 Transportadoras**

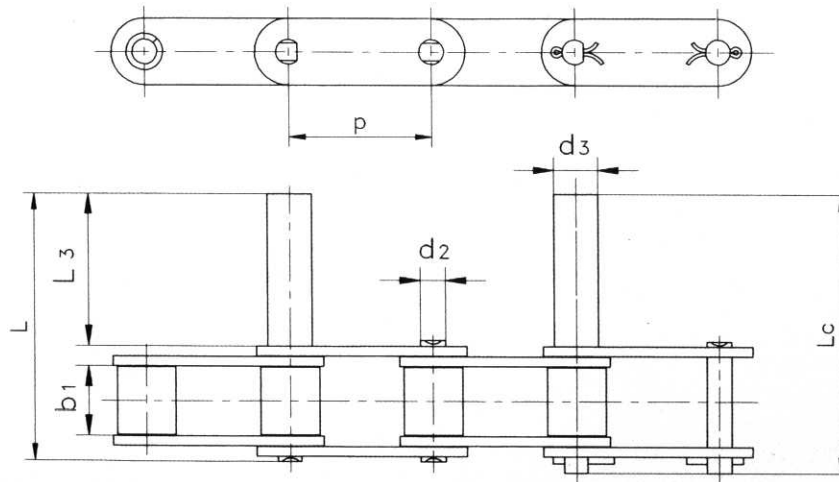
Productos y Servicios para la Industria



**C6E**



Chain No.	P	T	C	J	K	$\alpha$
	mm	mm	mm	mm	mm	°
CA550-C6E	41.4	2.8	55.6	23.6	13.5	20
CA555-C6E	41.4	3.1	63.5	23.6	13.5	15



Chain No.	P	b1	d2	d3	L3	L	Lc
	mm	mm	mm	mm	mm	mm	mm
CA550-D1	41.40	19.81	7.19	12.7	50.8	84.5	87.5
S62F3-D1	41.91	25.40	8.00	12.7	40.0	80.4	83.0

**S type and C type steel agricultural chain attachments**